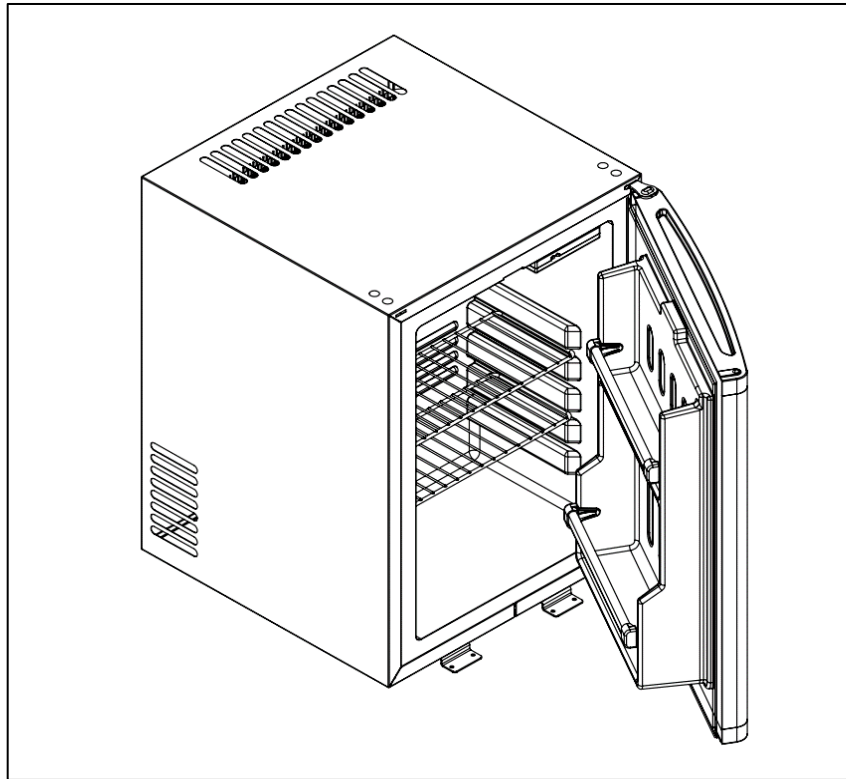


TECHNICAL SPECIFICATIONS



MODEL 81914454

TECHNICAL DATA SHEET

CHARACTERISTICS

➤ Compartment Type	: Cellar/ Killer
➤ Energy Efficient Class	: F
➤ Climate Class	: N
➤ Energy Consump.	:95 kWh/a
➤ Energy Efficiency Index	:124,2 %
➤ Power	:50 W
➤ Frekans /Voltage /	: 110V - 240V / 50-60 Hz.
➤ Defrosting Type	: Automatic
➤ Gürültü Seviyesi / Noise Emission	: 23 (dB(A) re 1 pW)

ACCESSORIES

➤ Internal Light	: Standart
➤ Lockable Door	: Opsiyonel
➤ Door Hinge Side	: Right
➤ Reversible Door	: Yes
➤ Thermostat Control	: Electronic

TECHNICAL SPECIFICATIONS

➤ External Dims.	: 512x384x395 mm (HxWxD)
➤ Internal Dims.	: 468x351x186 mm (HxWxD)
➤ Pack. Dims.	: 559x432x464 (HxWxD)
➤ Pack. Volume	: 0,11 m ³
➤ Gross Volume	: 24 lt
➤ Total Volume	: 21 lt
➤ Gross Weight	: (10,15±1) kg
➤ Net Weight	: (8,57±1) kg
➤ Outer Body	: 0.4 mm.PVC Kaplı Sac / 0,4 PVC Coated Sheet
➤ Inner Liner	: Hips
➤ Insulation Material	: Sert P.U. / Rigid P.U.
➤ Blowing Agent	: C.Pentane
➤ Insulation Density	: 38~40 kg/m ³